

FANUC

NEW M-410iC/110

Compact, fast and durable



OPTIMISED KINEMATIC
TO ACHIEVE OPTIMAL
WORKSPACE

SLIM DESIGN
TO REDUCE REQUIRED
FLOOR SPACE TO MINIMUM

INTEGRATED SERVICES
WITH TOOL INTERFACE
ON ROBOT HAND



PICTURE SHOWS PROTOTYPE

Fast, no matter how long the work lasts

- 110 kg payload capacity
- reach 2403mm, max. height 2238mm
- 2200CPH at 60 kg payload (400-2000-400)
- optimised kinematics for efficient palletising
- slim design reduce required floor space to minimum
- based on the slim design very suitable to renew existing lines with high end palletising performance
- advanced servo technology for best motion performance
- global and uniform product support

WWW.FANUC.EU

M-410iC/110

Max. load capacity
at wrist: **110 kg**

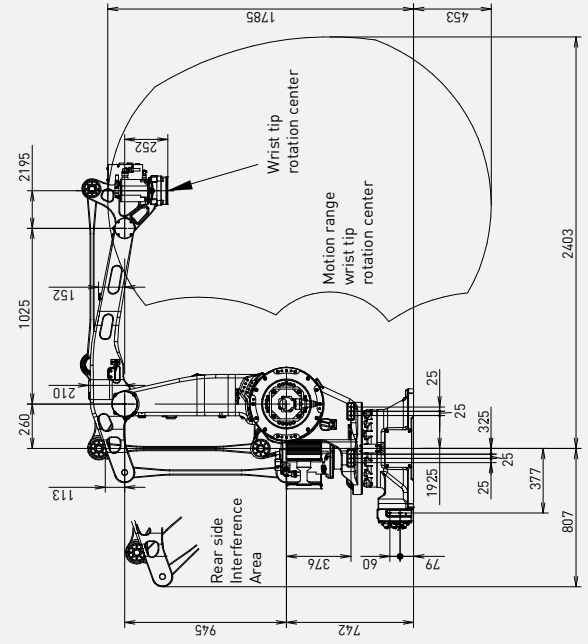
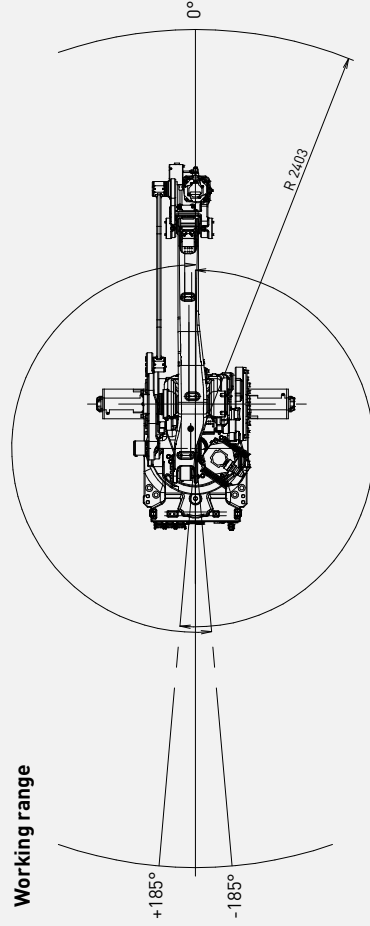


Max. reach:
2403 mm



Controlled axes	Repeatability (mm)	Mechanical weight (kg)	Motion range [°]						Maximum speed [°/s]						J4 Moment/Inertia (Nm/kgm ²)	J5 Moment/Inertia (Nm/kgm ²)	J6 Moment/Inertia (Nm/kgm ²)
			J1	J2	J3	J4	J5	J6	J1	J2	J3	J4	J5	J6			
4	± 0.05	1030	370	125	140	720	-	145	130	140	420	-	53	-	-	-	

Working range



Robot

Robot footprint [mm]	M-410iC/110
	761 x 610
Mounting position Floor	●
Mounting position Upside down	-
Mounting position Angle	-

Controller

Open air cabinet	R-30iB Plus
Mate cabinet	-
A-cabinet	●
B-cabinet	○
iPendant Touch	●

Electrical connections

Voltage 50/60Hz 3phase [V]	380-575
Voltage 50/60Hz 1phase [V]	-
Average power consumption [kW]	3

Integrated services

Integrated signals on upper arm In/Out	8/8
Integrated air supply	2

Environment

Acoustic noise level [dB]	75.3
Ambient temperature [° C]	0-45

Protection

Body standard/optional	IP54
Wrist & J3 arm standard/optional	IP54

Load Capacity

Max. load capacity at J2 base [Kg]	550
Max. load capacity at J3 arm [Kg] *	30

● standard ○ on request - not available () with hardware and/or software option

* payload capacity change when arm load is used